

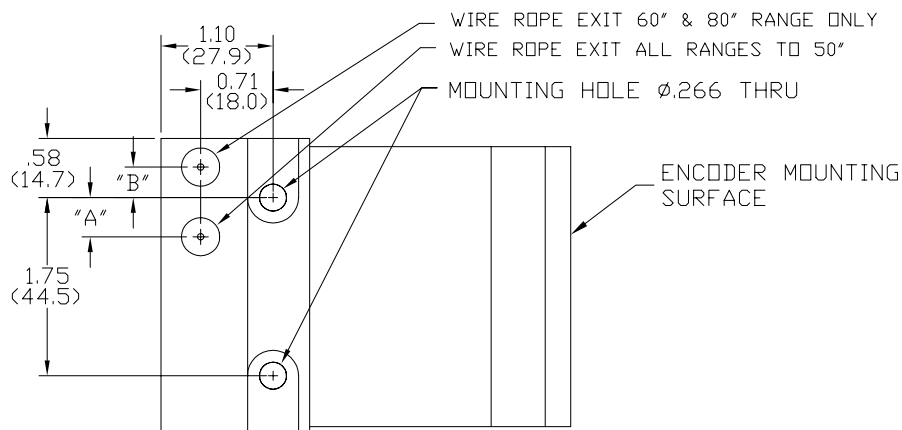
HXLR Encoder Mounting Instructions

Balluff BDG 61 Internal Mount Encoder (Ranges 2" to 80", Adapter "F")

1. Remove all accompanying hardware from plastic bags.
2. Place thread sealant (Loctite 242 or equivalent) onto the three M3 screws. Place the smaller of the two o-rings into the corresponding groove in the Encoder Adapter Plate and with o-ring toward encoder, fasten Encoder Adapter Plate to encoder with M3 screws and tighten to 8 lb-in.
3. Remove 10-24 button head cap screw and nylon washer from HXLR module adapter housing so that the screw on the coupling may be accessed.
4. Insert a 7/64" hex driver into the coupling access hole and remove the 6-32 screw from the shaft coupling. Place thread sealant (Loctite 242 or equivalent) onto the screw threads and re-insert into the coupling but do not tighten.
5. Slide encoder assembly into shaft coupling and align the mounting holes in the Encoder Adapter Plate with the corresponding holes in the attachment plate on the HXLR module. Place thread sealant (Loctite 242 or equivalent) onto the four 1/4-20 x .50" long screws, and fasten the encoder assembly in place. Tighten screws to approximately 30 lb-in.
6. Tighten the screw of the shaft coupling to 20 lb-in.
7. Place the 10-24 button head cap screw and nylon washer back into the coupling access hole and tighten to

Dimensional Information

HXLR Module (Ranges to 80")



RANGE	"A"	"B"
2", 10"	.54 (13.7)	—
3", 15", 30"	.38 (9.6)	—
4", 20", 40"	.22 (5.6)	—
5", 25", 50"	.06 (1.5)	—
60"	—	.09 (2.3)
80"	—	.33 (8.4)

