

# LX-PA Series Installation Guide

## Installation Information

- Unit mounts on surface shown in Figure 1.
- To maximize cable life, align transducer with moving element so that cable exits unit within 2° of vertical (with unit oriented as shown in Figure 1).
- Use Table 1 to determine cable exit location relative to transducer mounting holes.
- Mount unit with two #6 or smaller machine screws or two M3.5 or smaller metric machine screws.

### Note

- Place a flat washer under the head of each screw.
- Torque 6-32 screws to **5 lb-in** maximum.
- Torque M3.5 screws to **0.56 N-m** maximum.

- Solder electrical leads to potentiometer on transducer per the circuit diagram shown in Figure 2 (designators in diagram correspond to pin designators on potentiometer). Output may be reversed by reversing the +Vin and Common leads. Electrical leads may be strain relieved by fastening to the potentiometer with a cable tie.
- Note:** Units with ranges 4.7" and less employ a single turn potentiometer which has no stops. On these units the wire rope will extend to a total length of approximately 8" to 10". When extension beyond the specified measurement range occurs, the wiper of the potentiometer traverses a deadband after which the electrical output begins again.

## Specifications

Input Impedance ..... 1000 ohms ±10%  
 Excitation Voltage ..... 25 Volts max. AC or DC  
 Output Impedance..... 0 to 1000 ohms

### Linearity:

Ranges to 4.7" ..... ±1.0% Full Scale  
 10" to 25" range..... ±0.5% Full Scale  
 30" to 50" range..... ±0.25% Full Scale  
 Operating Temperature..... -15°C to 60°C

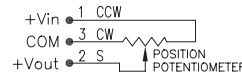
P/N: 400103 F/N:400103A.INDD

**Table 1**

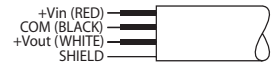
Range	Dim "A"	
	(inch)	(mm)
2", 10"	1.01	25.7
2.8", 15", 30"	1.14	29.0
3.8", 20", 40"	1.30	33.0
4.7", 25", 50"	1.46	37.1

## CIRCUIT DIAGRAM

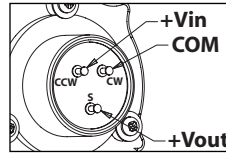
**Figure 2**



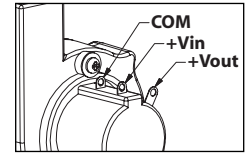
### Electrical Cable Wiring



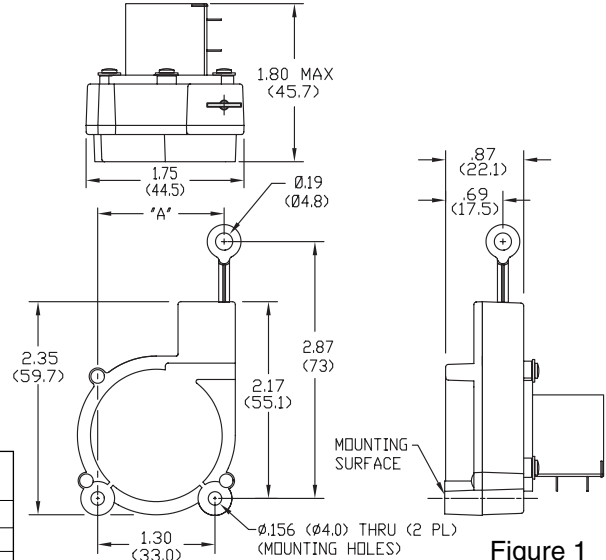
NOTE: Shield is open at transducer



Ranges to 4.7"



Ranges 10" to 50"



**Figure 1**

Dimensions in brackets are millimeters



4175 SW Research Way, Corvallis, Oregon, 97333  
 •Tel: 541-757-3158 • Fax: 541-757-0858